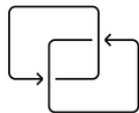




OXON CONTROL UNIT



One Way
Protocol

Radio control

OXON CONTROL UNIT

OXON is an advanced radio control unit designed for mechanical motors up to 1350W. This version improves the capabilities of its predecessor, offering advanced functions such as adjustable automatic closing and "continuous" or "man present" modes for 1 or 3 keys. In addition, OXON can power 12V sensors and allows the connection of courtesy or warning lights with flashing. It also offers the possibility of connecting push buttons.

REFERENCE



OXON | 20.001.002

TECHNICAL CHARACTERISTICS

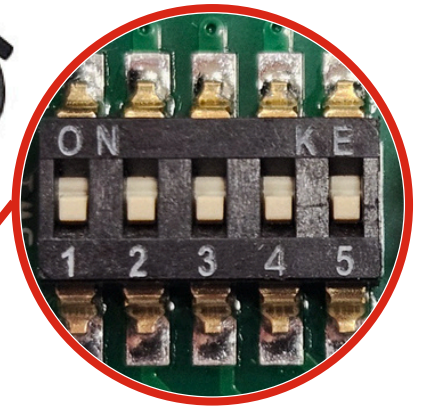
Name	No.Channels	Feeding	MAX engine power	Frequency	Temperature	Measures
OXON	1	230V A.C	1350 W	433.92 Mhz	-20 a 70° C	123 x 78 x 35 mm

SCHEMATIC OF ELECTRONICS

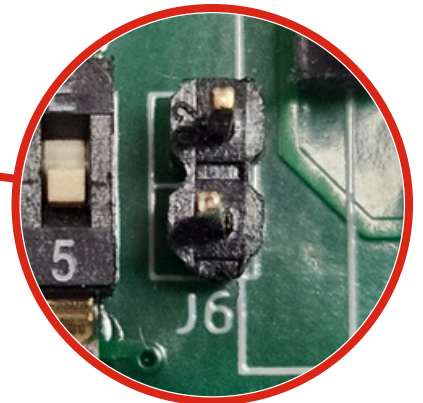
LED SIGNAL LIGHT



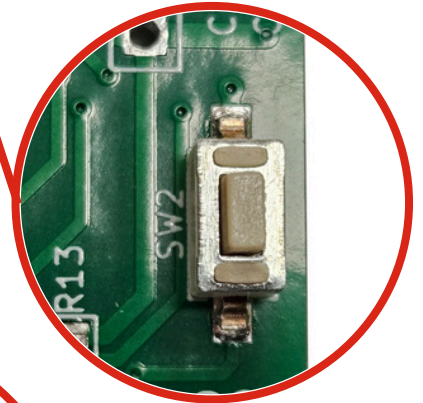
MICRO SWITCH



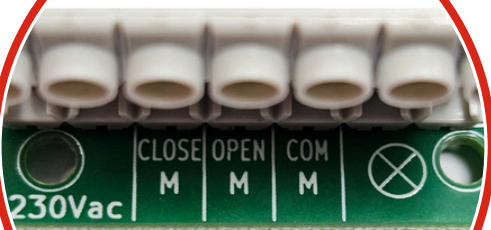
J6 CONNECTOR



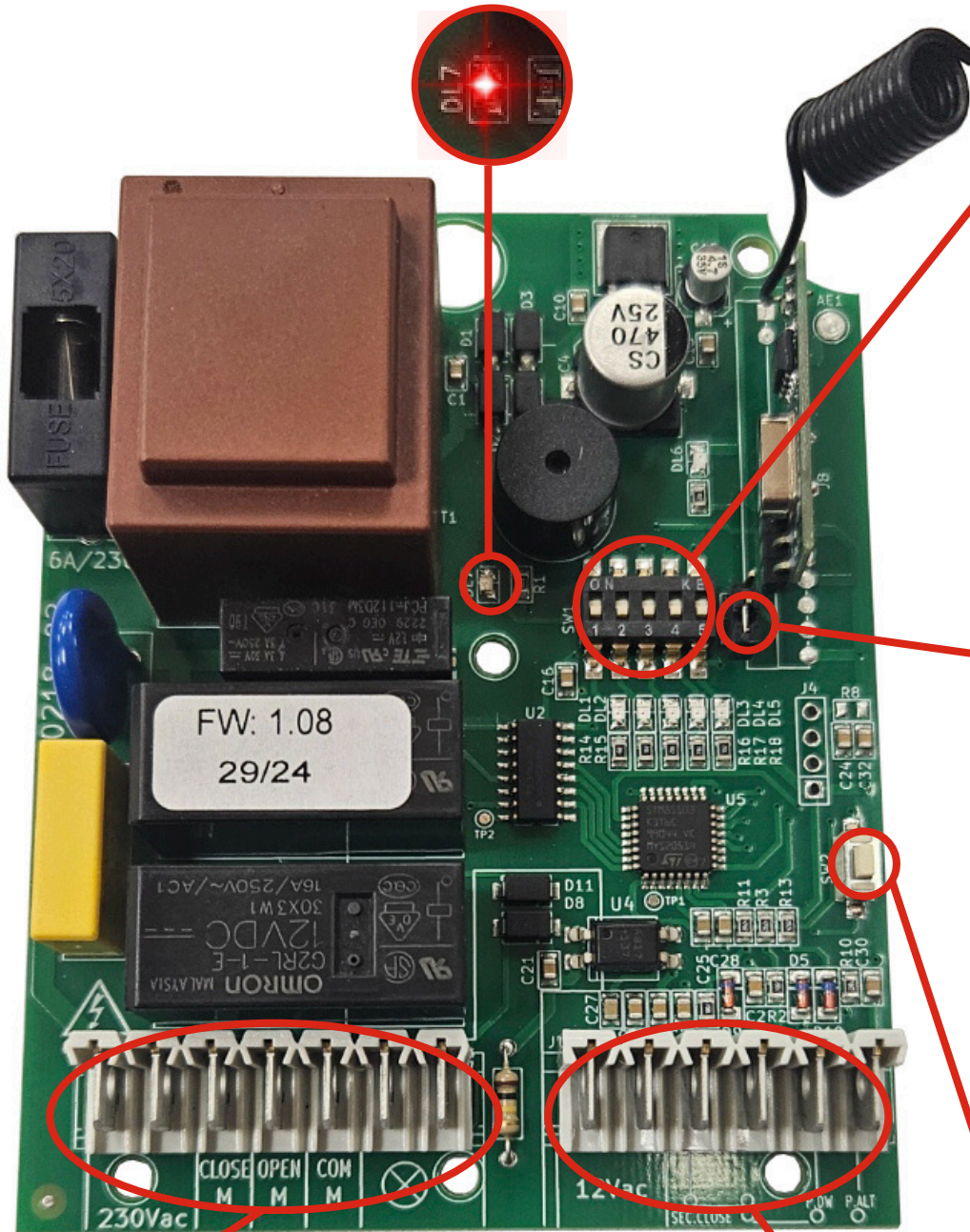
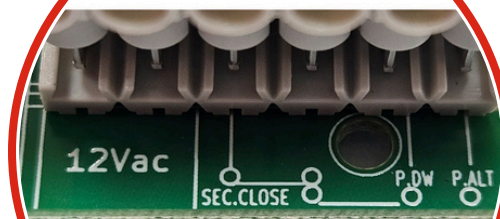
PROGRAMMING BUTTON (LEARN)



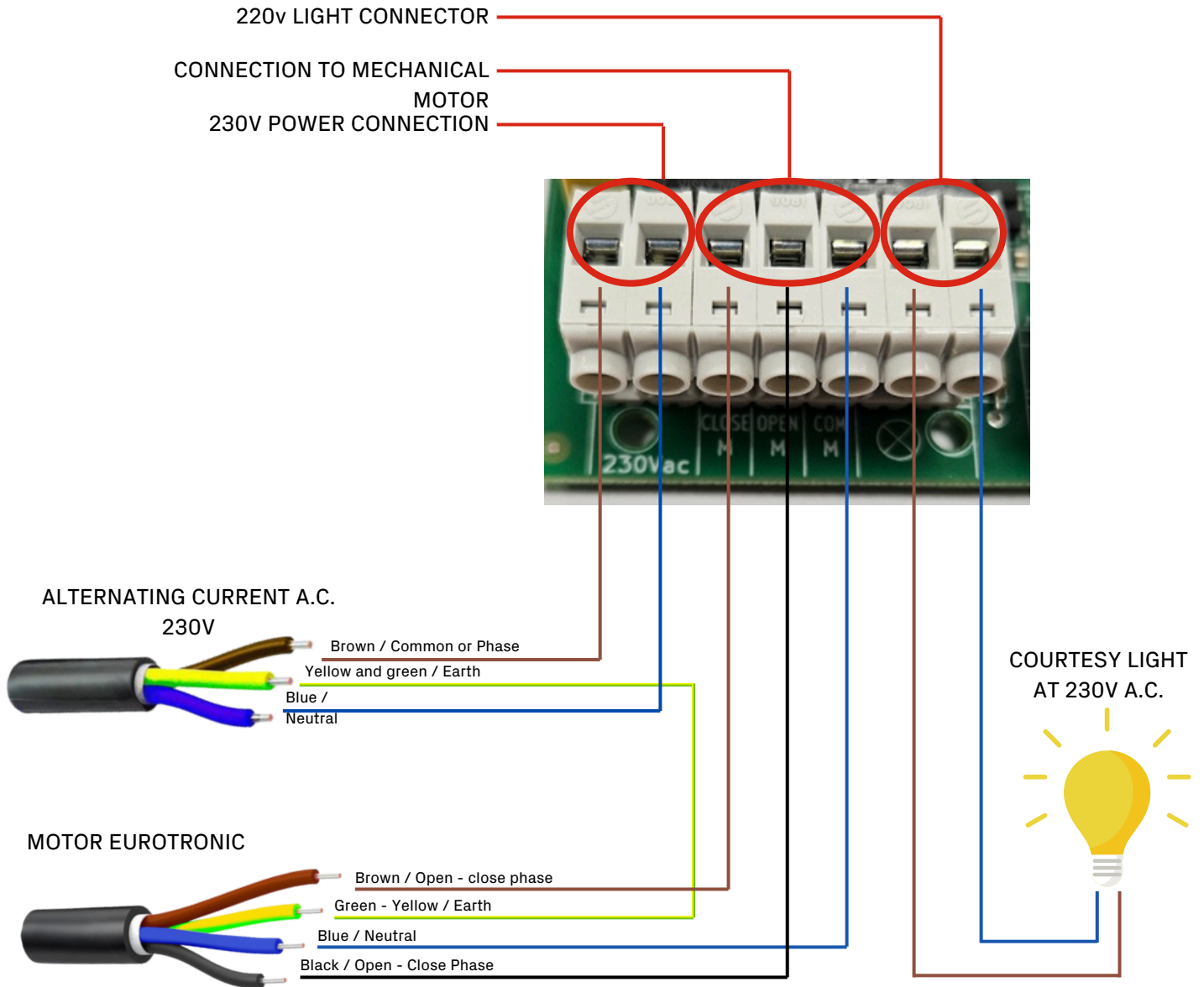
230V A.C



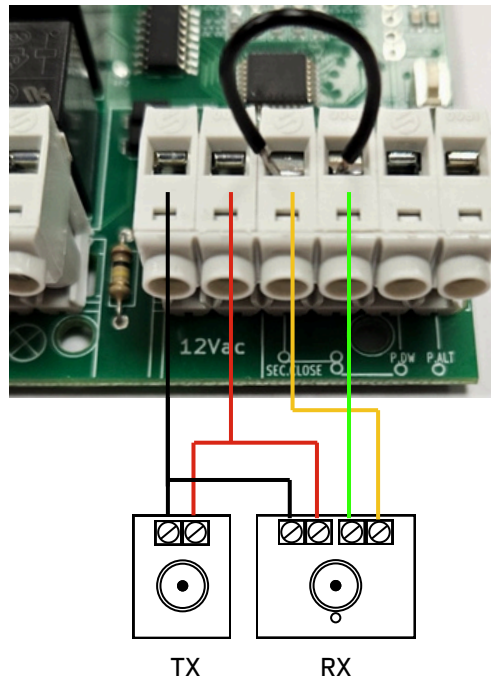
12V D.C



230V A.C CONNECTION

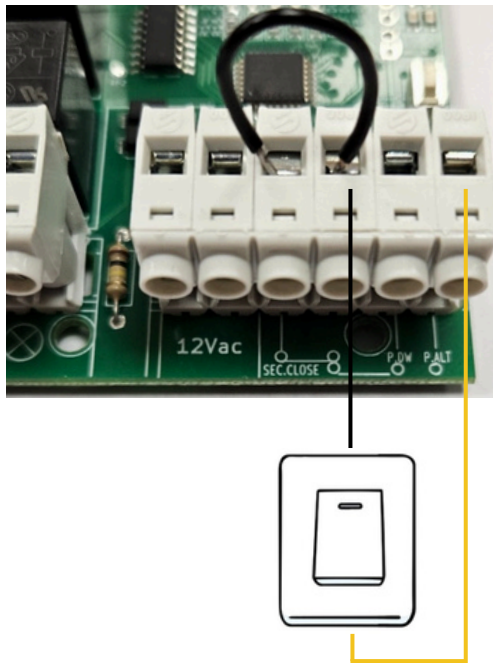


12V PHOTOCELL CONNECTION

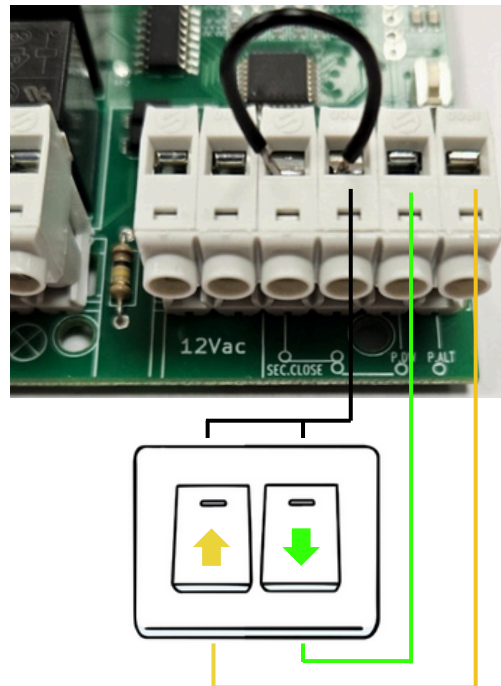


CONNECTING THE SWITCHES

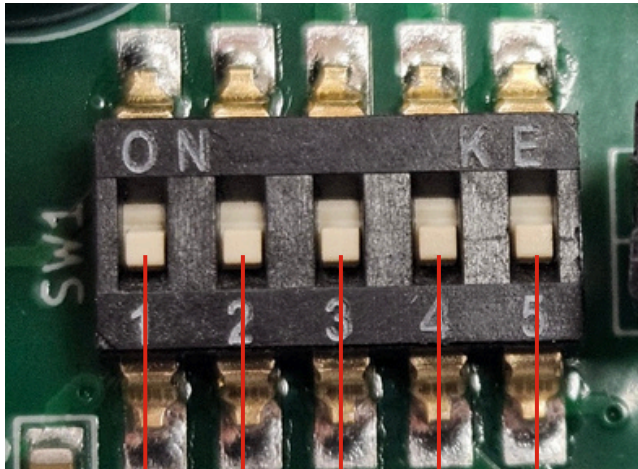
SCHEMATIC WITH J6 BRIDGE ACTIVE



SCHEMATIC WITHOUT THE J6 BRIDGE



MICRO SWITCH FUNCTIONS



ON: Courtesy light ACTIVE
OFF: Flashing light ON

ON: Automatic closing ACTIVE
OFF: Automatic closing DISABLED

ON: OPEN working time setting
OFF: SET working time setting

ON: PRESENT MAN function **
OFF: CONTINUOUS operation

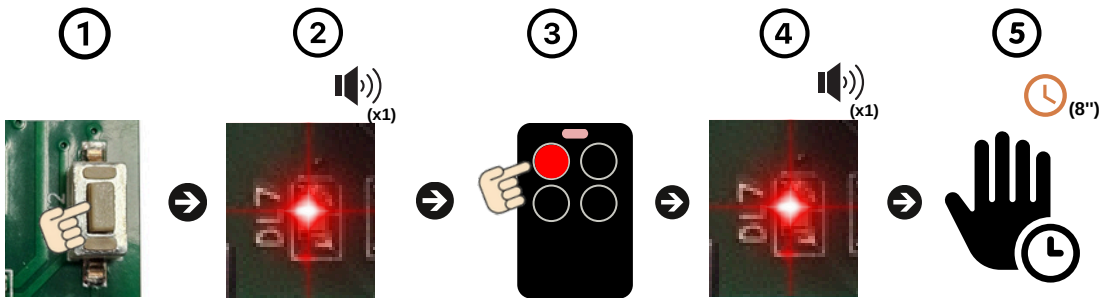
ON: Buzzer ON (sound ON)
OFF: Buzzer OFF (sound OFF)

**** if microswitch 2 is ON the PRESENT MAN function is also active UP**

INSTRUCTIONS:

1. LINK FIRST CONTROLLER

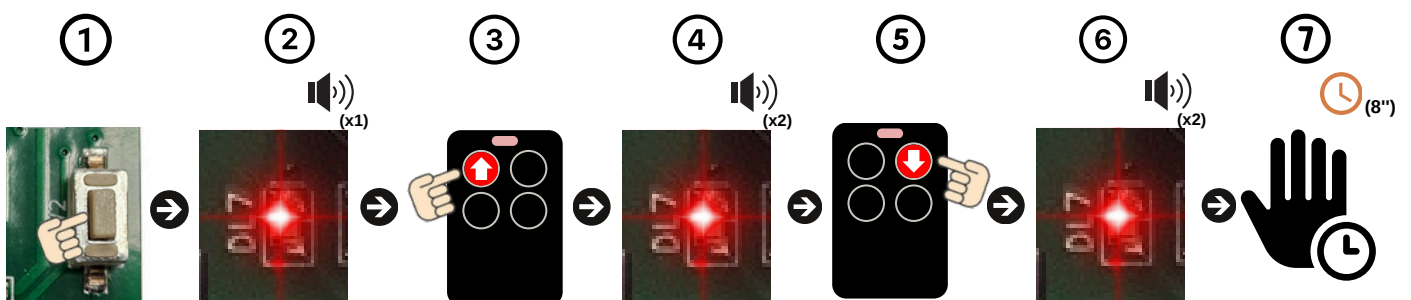
Single key mode:



Procedure:

1. Press the (LEARN) button
2. The red LED will flash and the control unit will emit a beep (BIP) (x1).
3. Press the key on the remote you want to record once (x1).
4. The red LED will flash and the control unit will emit a beep (BIP) (x1).
5. Wait eight seconds (8"). The control unit will beep twice (x2) to finish.

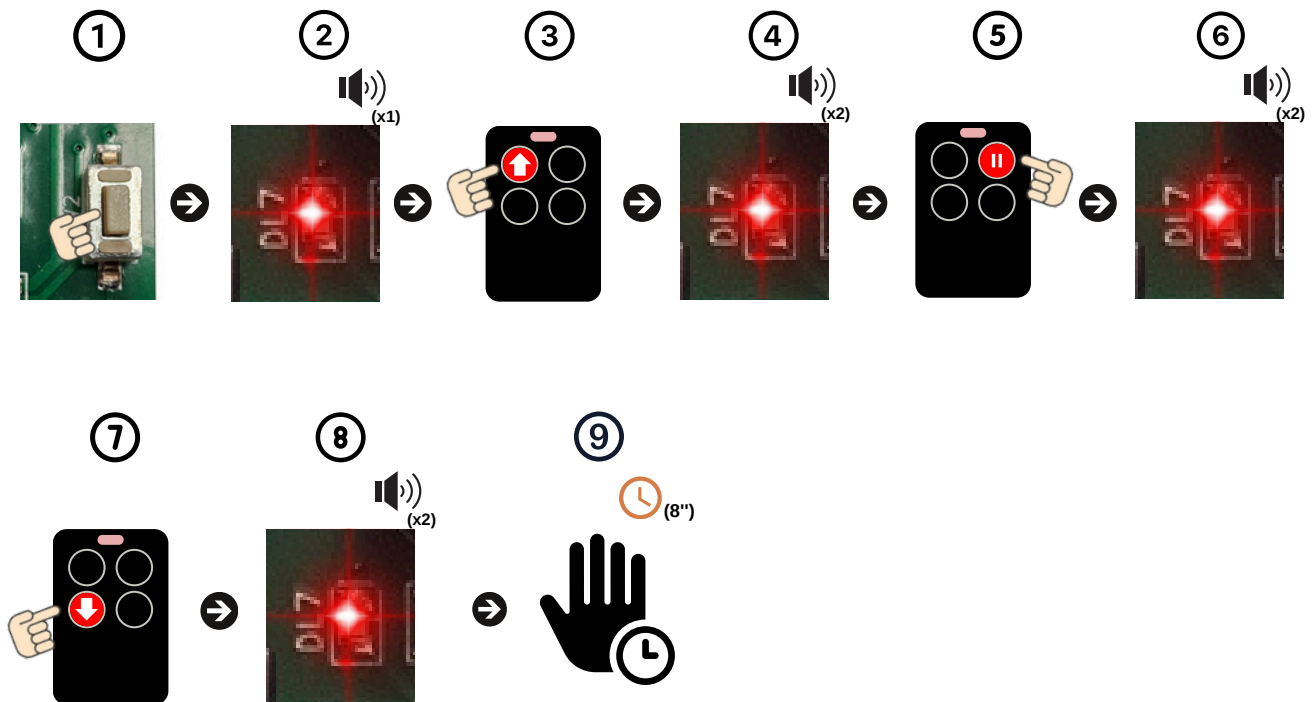
Two-key mode:



Procedure:

1. Press the (LEARN) button
2. The red LED will flash and the control unit will emit a beep (BIP) (x1).
3. Press (UP) on the remote you want to record once (x1).
4. The red LED will flash and the control unit will emit two beeps (BIP) (x2).
5. Press (DOWN) on the remote once (x1).
6. The red LED will flash and the control unit will emit two beeps (BIP) (x2).
7. Wait eight seconds (8"). The control unit will beep twice (x2) to finish.

Three-key mode:

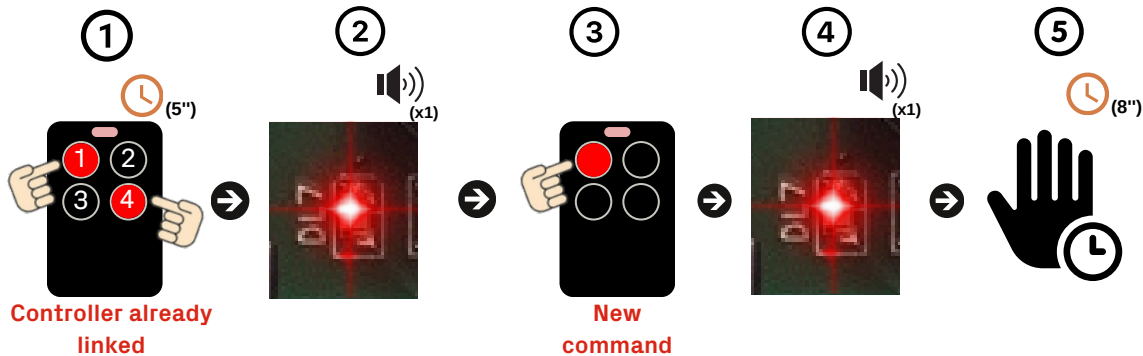


Procedure:

1. Press the (LEARN) button
2. The red LED will flash and the control unit will emit a beep (BIP) (x1).
3. Press (UP) on the remote you want to record once (x1).
4. The red LED will flash and the control unit will emit two beeps (BIP) (x2).
5. Press (STOP) on the remote once (x1).
6. The red LED will flash and the control unit will emit two beeps (BIP) (x2).
7. Press (DOWN) on the remote once (x1).
8. The red LED will flash and the control unit will emit two beeps (BIP) (x2).
9. Wait eight seconds (8"). The control unit will beep twice (x2) to finish.

2. LINK AN ADDITIONAL TRANSMITTER FROM THE

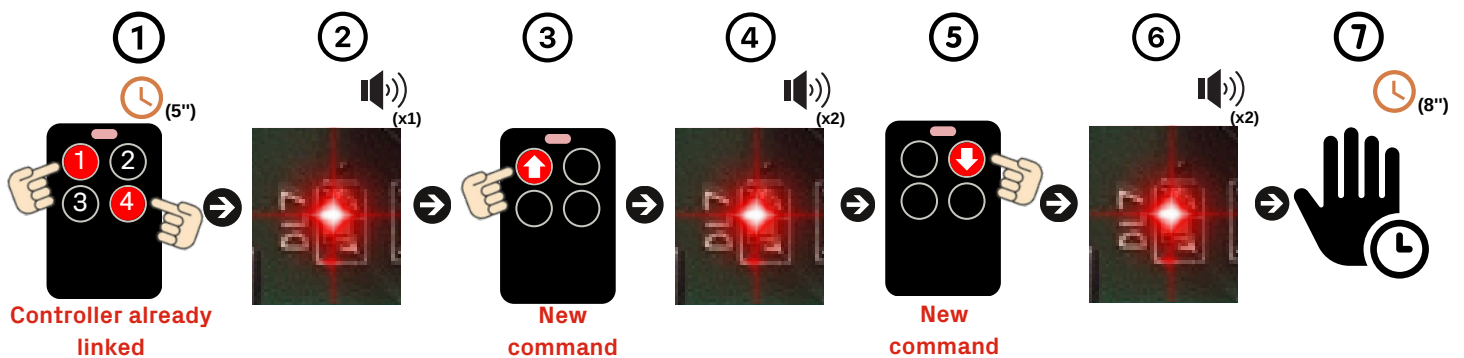
Single key mode:



Procedure:

1. Press buttons (1) and (4) on the already linked remote to open the control unit programming.
2. The red LED will flash and the control unit will emit a beep (BIP) (x1).
3. Press the key on the remote you want to record once (x1).
4. The red LED will flash and the control unit will emit a beep (BIP) (x1).
5. Wait eight seconds (8"). The control unit will beep twice (x2) to finish.

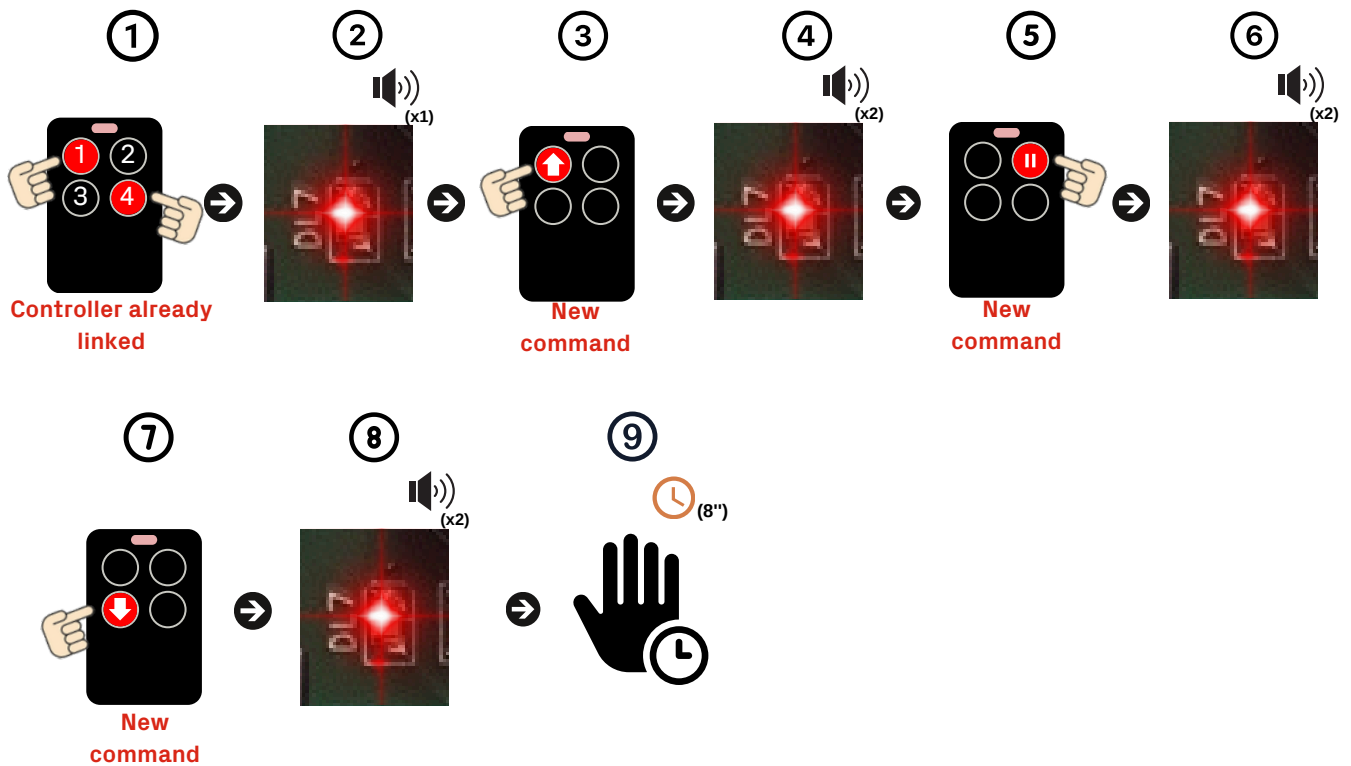
Two-key mode:



Procedure:

1. Press buttons (1) and (4) on the already linked remote to open the control unit programming.
2. The red LED will flash and the control unit will emit a beep (BIP) (x1).
3. Press (UP) on the remote you want to record once (x1).
4. The red LED will flash and the control unit will emit two beeps (BIP) (x2).
5. Press (DOWN) on the remote once (x1).
6. The red LED will flash and the control unit will emit two beeps (BIP) (x2).
7. Wait eight seconds (8"). The control unit will beep twice (x2) to finish.

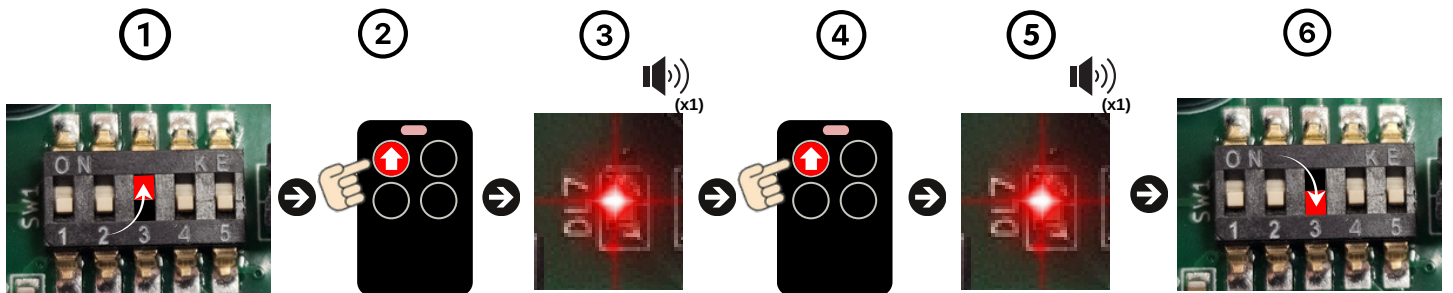
Three-key mode:



Procedure:

1. Press buttons (1) and (4) on the already linked remote to open the control unit programming.
2. The red LED will flash and the control unit will emit a beep (BIP) (x1).
3. Press (UP) on the remote you want to record once (x1).
4. The red LED will flash and the control unit will emit two beeps (BIP) (x2).
5. Press (STOP) on the remote once (x1).
6. The red LED will flash and the control unit will emit two beeps (BIP) (x2).
7. Press (DOWN) on the remote once (x1).
8. The red LED will flash and the control unit will emit two beeps (BIP) (x2).
9. Wait eight seconds (8"). The control unit will beep twice (x2) to finish.

3. SET WORKING TIME

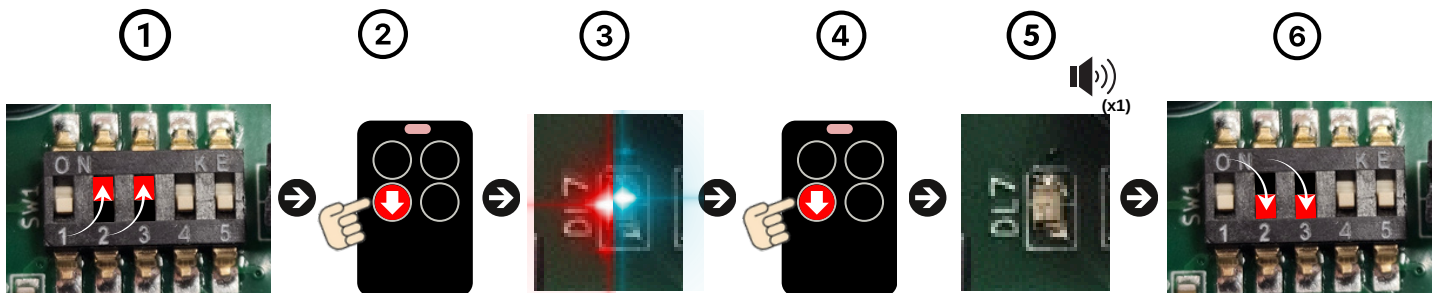


Procedure:

Make sure the motor is positioned at its lower limit switch before beginning this process.

1. Set the (MICROSWITCH N°3) to the ON position.
2. Press (UP) on the remote once (x1).
3. The red LED will flash and the control unit will emit a beep (BIP) (x1).
4. When the motor reaches its upper limit switch, press the (UP) button again.
5. The red LED will flash and the control unit will emit a beep (BIP) (x1).
6. Set the (MICROSWITCH N°3) to the OFF position.

4. CONFIGURE AUTOMATIC CLOSING

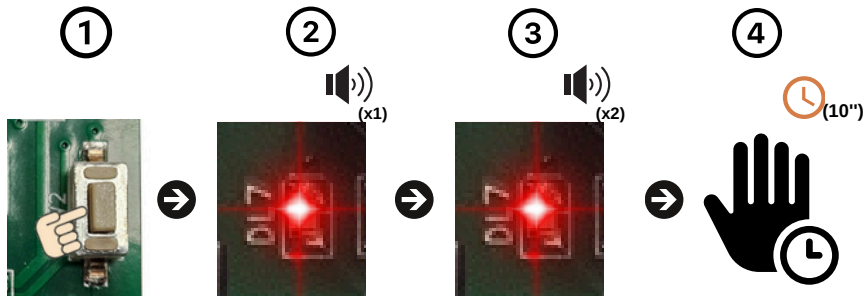


Procedure:

Make sure the motor is positioned at its upper limit switch before starting this process.

1. Set (MICROSWITCH #2 and #3) to the ON position.
2. Press (DOWN) on the remote once (x1).
3. The red LED will stay on and the blue LED will flash.
4. When the motor reaches its down limit switch, press the (DOWN) button again.
5. The red and blue LEDs will turn off and the control unit will emit a long beep (BEEP) (x1).
6. Set (MICROSWITCH #2 and #3) to the OFF position.

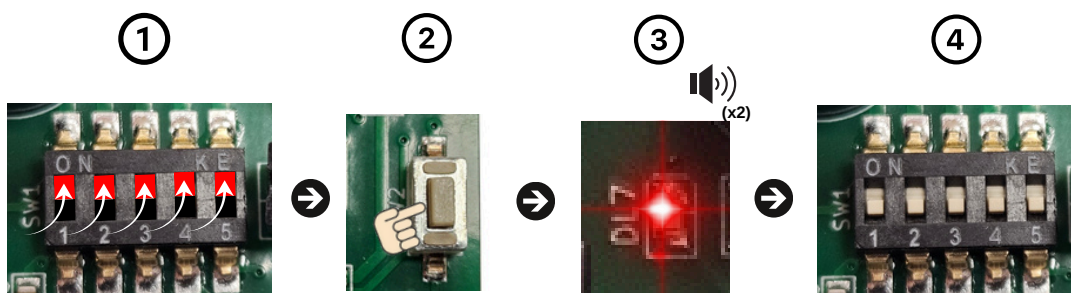
5. DELETE ALL TRANSMITTERS



Procedure:

1. Press and hold the (LEARN) button on the control unit.
2. The red LED will light up and the control unit will emit a beep (BIP) (x1).
3. Continue holding the button until the control unit emits two long beeps (BEEP)(x2).
4. Wait ten seconds (10''). The control unit will beep twice (x2) to finish.

6. RESET ALL TIMERS



Procedure:

1. Set (MICROSWITCH #1, #2, #3, #4 and #5) to the ON position.
2. Press and hold the (LEARN) button on the control unit.
3. Continue holding the button until the control unit emits two long beeps (BEEP)(x2).
4. Return the (MICROSWITCH) switches to the way they were before you began the procedure.



www.eurotronic-europe.com

C/Pica d'Estats, 108-118 Poligono Industrial Sant Isidre
08272 Sant Fruitós de Bages (Barcelona) SPAIN

pedidos@eurotronic-europe.com Tel: +34 932 420 108